

PARTS

HIGHLINE MFG INC

BALEMASTER

BALE PRO 6000

92-93

**Assembly-Operator
Parts Manual**

PRESIDENT'S MESSAGE

BALEMASTER A NEW NAME IN LIVESTOCK FEED HANDLING EQUIPMENT, IS MANUFACTURED BY HIGH-LINE MFG. INC. A COMPANY MANNED WITH A CREW WHICH HAS OVER 25 YEARS EXPERIENCE IN THE FARM IMPLEMENT INDUSTRY.

THIS OPERATOR MANUAL HAS BEEN PREPARED TO PROVIDE INFORMATION NECESSARY FOR THE SAFE AND EFFICIENT OPERATION OF YOUR BALE PRO 6000 OR BALE PRO 6000+. IN IT YOU WILL FIND SAFETY PROCEDURES, MAINTENANCE ROUTINES AND DETAILED PARTS DIAGRAMS.

IF YOU SHOULD FIND THAT YOU REQUIRE INFORMATION NOT COVERED IN THIS MANUAL, FEEL FREE TO CONSULT US OR YOUR LOCAL DEALER.

SHOULD THE NEED ARISE, THIS MANUAL WILL ASSIST YOU IN ACQUIRING REPLACEMENT PARTS. SHOULD YOUR DEALER NOT HAVE THE PARTS YOU REQUIRE IN STOCK, HE WILL BE HAPPY TO ORDER THEM FOR YOU.

THE BALE PRO 6000 OR 6000+ WAS DESIGNED FOR CONTROLLED, MORE AGGRESSIVE PROCESSING WITH LESS BUNCHING. A LITTLE TIME AND EFFORT SPENT IN PROPER MAINTENANCE WILL INCREASE THE PERFORMANCE AND DURABILITY OF YOUR BALE PROCESSOR.

IN ORDER TO MAINTAIN HIGH EFFICIENCY STANDARDS, CHANGES OR IMPROVEMENTS ARE MADE FROM TIME TO TIME. HIGH-LINE MFG. INC. RESERVES THE RIGHT TO MAKE THOSE CHANGES AND IMPROVEMENTS WHEN PRACTICAL TO DO SO WITHOUT INCURRING ANY OBLIGATION TO MAKE SUCH CHANGES AND IMPROVEMENTS ON MACHINES SOLD PREVIOUSLY.

HIGH-LINE MFG. INC. THANKS AND CONGRATULATES YOU FOR SELECTING A BALE PRO 6000 OR BALE PRO 6000+ AS THE MACHINE OF YOUR CHOICE.

RAYMOND BUSSIERE
PRESIDENT

**P.O BOX 307 VONDA, SASKATCHEWAN SOK 4N0
PHONE 1-800-665-2010 FAX (306) 258-2010**

TABLE OF CONTENTS

1.....	WARRANTY
2.....	OPERATING INSTRUCTIONS
3.....	FLAIL AND FEED DRUM ASSEMBLY
5.....	FLAIL DRUM INSTALLATION
7.....	FEED DRUM INSTALLATION
9.....	SHIELD INSTALLATION
11.....	CART ASSEMBLY
13.....	TUB ON CART INSTALLATION
15.....	HYDRAULIC LAYOUT
17.....	3 X 16 CYLINDER ASSEMBLY
19.....	PTO ASSEMBLY (MODEL EG OR BP)
21.....	PTO ASSEMBLY (WEASLER)
23.....	HUB AND WHEEL ASSEMBLY
25.....	TROUBLE SHOOTING
26.....	SPECIFICATIONS

WARRANTY

HIGH-LINE MFG. INC. WARRANTS ITS PRODUCTS TO THE ORIGINAL OWNER FOR A PERIOD OF TWO YEARS FROM DATE OF PURCHASE. SUBJECT TO THE FOLLOWING PROVISIONS.

- *1ST YEAR - PARTS & LABOUR**
- *2ND YEAR - PARTS ONLY**

***ALL MATTERS RELATED WITH THE WARRANTY OF PRODUCTS MUST BE HANDLED THROUGH AN AUTHORIZED BALEMASTER DEALER.**

***ANY LABOUR SUBJECT TO WARRANTY MUST BE AUTHORIZED BY A HIGH-LINE MFG. INC. REPRESENTATIVE, BEFORE WORK IS STARTED.**

***MACHINES USED FOR RENTAL, CUSTOM WORK OR INDUSTRIAL, CONSTRUCTION USE, WILL BE WARRANTED FOR A PERIOD OF 30 DAYS FROM DATE OF PURCHASE. (PARTS AND LABOUR)**

***WARRANTY WILL BE VOID IF ANY COMPONENT OF THIS MACHINE IS ALTERED OR MODIFIED IN ANY WAY, UNLESS WRITTEN PERMISSION IS GIVEN BY HIGH-LINE MFG. INC. .**

***HIGH-LINE MFG. INC. WILL NOT ASSUME ANY RESPONSIBILITY FOR WHATEVER DAMAGE MAY OCCUR TO EQUIPMENT TO WHICH THIS MACHINE MAY BE ATTACHED.**

***WARRANTY TERMS AND CONDITIONS ARE SUBJECT TO PROVINCIAL AND STATE LEGISLATION.**

OPERATING INSTRUCTIONS

AFTER LOADING BALE IN PROCESSOR, MAKE SURE FLAIL DRUM IS TURNING BEFORE STARTING FEED DRUMS. IN MOST CASES FEED DRUMS NEED ONLY TO BE TURNED PERIODICALLY SO AS NOT TO OVERLOAD THE FLAIL DRUM.

IF BALE QUILTS TURNING, REVERSE FEED DRUMS IN OPPOSITE DIRECTION. IF THE BALE IS LOADED ON END RATHER THAN ON ITS SIDE, IT IS BETTER TO KEEP REVERSING THE FEED DRUMS BACK AND FORTH TO PREVENT SPILLAGE.

AS WITH ANY NEW PIECE OF EQUIPMENT, IT IS A GOOD PRACTICE TO THOROUGHLY CHECK THE MACHINE OVER AFTER A FEW BALES ARE RUN THROUGH THE MACHINE . SPECIAL ATTENTION SHOULD BE PAYED TO *WHEEL BOLTS, BEARING LOCKING COLLARS, PTO LOCKING SET SCREWS OR ROLL PIN AND HOSE FITTINGS.*

FLAIL BOLTS SHOULD BE TIGHTENED SO THE BUSHING IS TIGHT AGAINST THE LUGS ON EACH SIDE, AFTER \approx 10 BALES AND RECHECKED AFTER \approx 200 BALES. (NOTE: FLAILS SHOULD TURN ON THE BUSHING NOT ON THE BOLT). GREASE BEARINGS DAILY BEFORE USE AND GREASE PIPE CLAMPS AFTER EVERY 100 BALES. GREASE PTO SHAFT AFTER EVERY \approx 10 BALES. IT IS VERY IMPORTANT TO KEEP THIS MACHINE *WELL GREASED* BECAUSE OF THE *HIGH SPEEDS AND TORQUE* AT WHICH IT OPERATES.

IT IS RECOMMENDED TO START WITH THE FEED DRUMS AT A HIGH SETTING, THEN LOWER THEM SLOWLY UNTIL THE DESIRED FEED SPEED AND CUT LENGTH IS ACHIEVED.

GENERAL: HIGH FEED DRUMS & SLOW FEEDING = SHORTER CUT
LOW FEED DRUMS & FAST FEEDING = LONGER CUT

ADJUST FEED DEFLECTOR UP FOR SPREADING BEDDING AND DOWN FOR FEEDING IN ROWS.

IMPORTANT!!

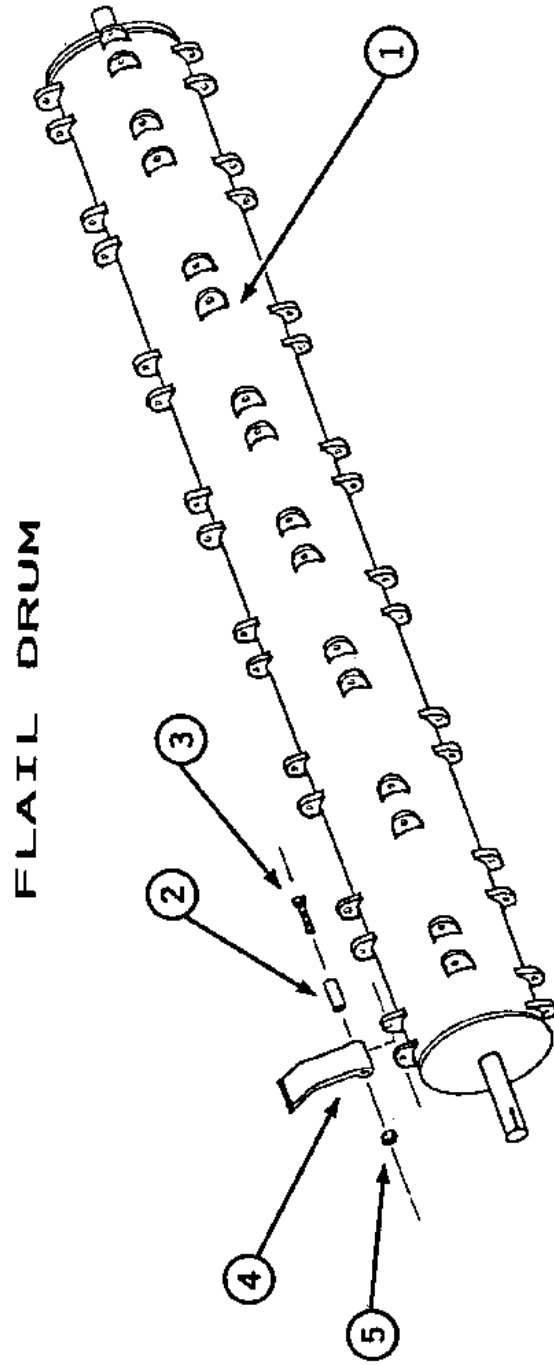
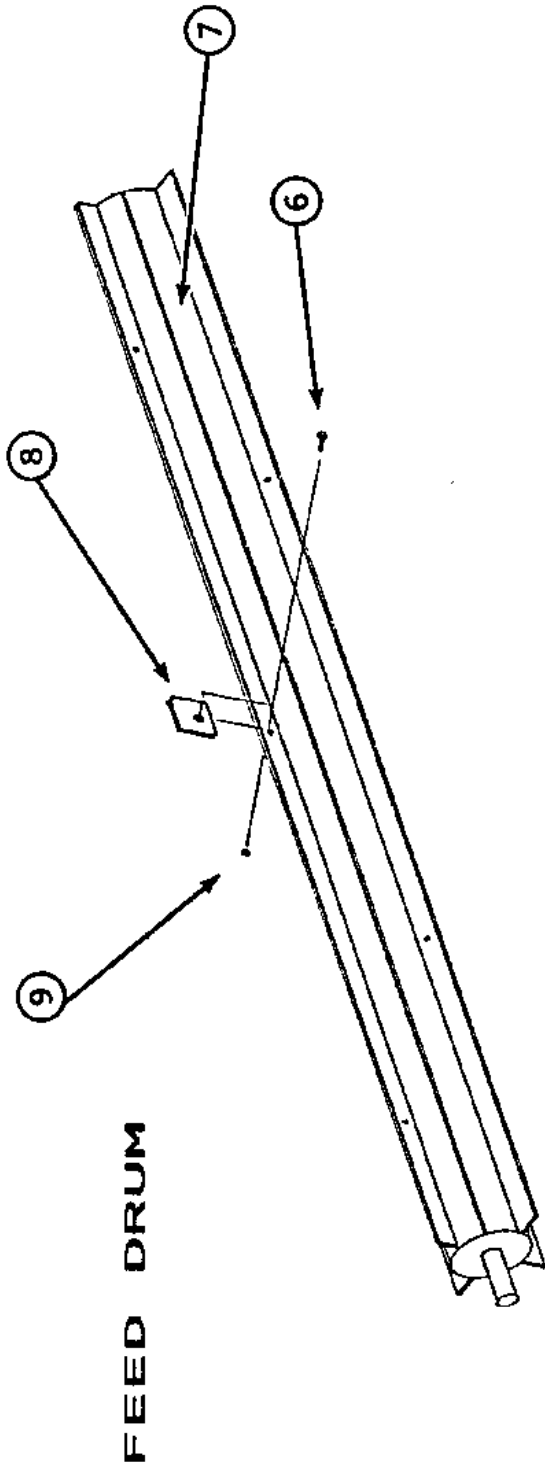
DANGER: STAY CLEAR OF DISCHARGE AREA BY A MINIMUM OF 75FT. ROCKS AND OTHER DEBRIS ARE THROWN OUT OF THE MACHINE AT HIGH SPEEDS AND WILL TRAVEL A GREAT DISTANCE.

DANGER: ALWAYS DISCONNECT PTO BEFORE UNPLUGGING OR REMOVING DEBRIS FROM YOUR PROCESSOR. DO NOT PUT YOUR HANDS OR FEET NEAR ANY MOVING PARTS WHILE IT IS RUNNING.

DANGER: DO NOT STAND ON THE MACHINE WHILE IT IS RUNNING.

PLEASE BE CAREFUL YOUR FAMILY LOVES YOU!

FLAIL AND FEED DRUM ASSEMBLY

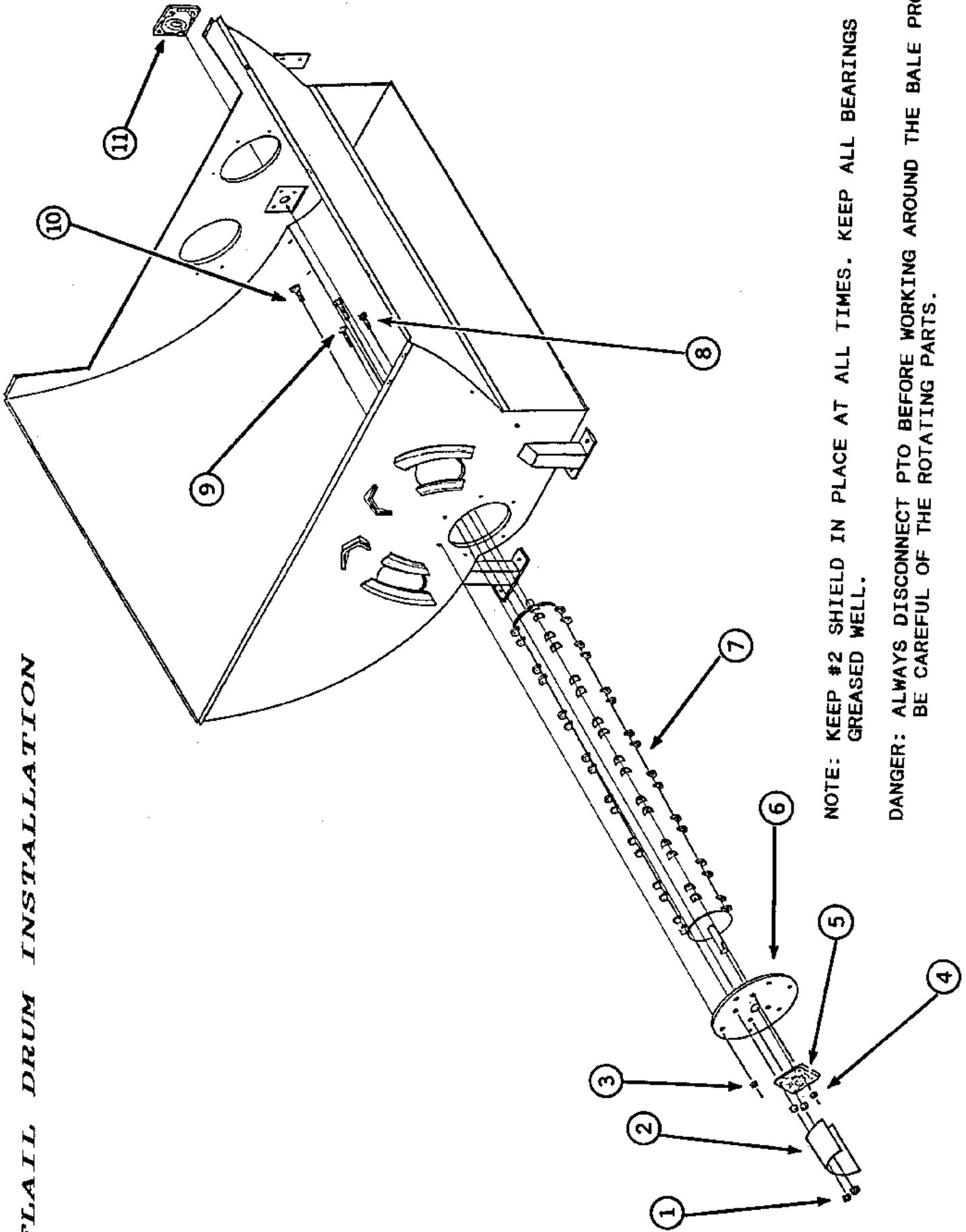


NOTE: BOLTS SHOULD BE TIGHTENED AFTER \approx 10 BALES, THAN RECHECKED AFTER \approx 200 BALES. THE FLAIL SHOULD TURN ON THE BUSHING NOT ON THE BOLT. MAKE SURE THE BUSHING TURNS FREELY IN THE FLAIL AND THAT THE BUSHING IS TIGHT BETWEEN THE LUGS ON THE DRUM.

NOTE: #8 TABS CAN BE ADDED FOR MORE AGGRESSIVE FEEDING, ADD AS MANY AS YOU REQUIRE.

ITEM NO.	PART NO.	DESCRIPTION
1	45071	FLAIL DRUM
2	45072	FLAIL BUSHING
3	B5C1060	5/8 X 3 3/4" UNC GR 5 BOLT
4	45075	FLAIL
5 31169	SLNC10	5/8" UNC STOVER LOCKNUT
6	B5C0616	3/8 X 1" UNC GR 5 BOLT
7	45066	FEEDER DRUM
8 E2084	45088	FEED ROLL LUG
9 31176	LNC06	3/8" LOCKNUT
		<p>E2084 - Flail drum Lug.</p> <p>E3240 - Flail drum shaft.</p>

FLAIL DRUM INSTALLATION



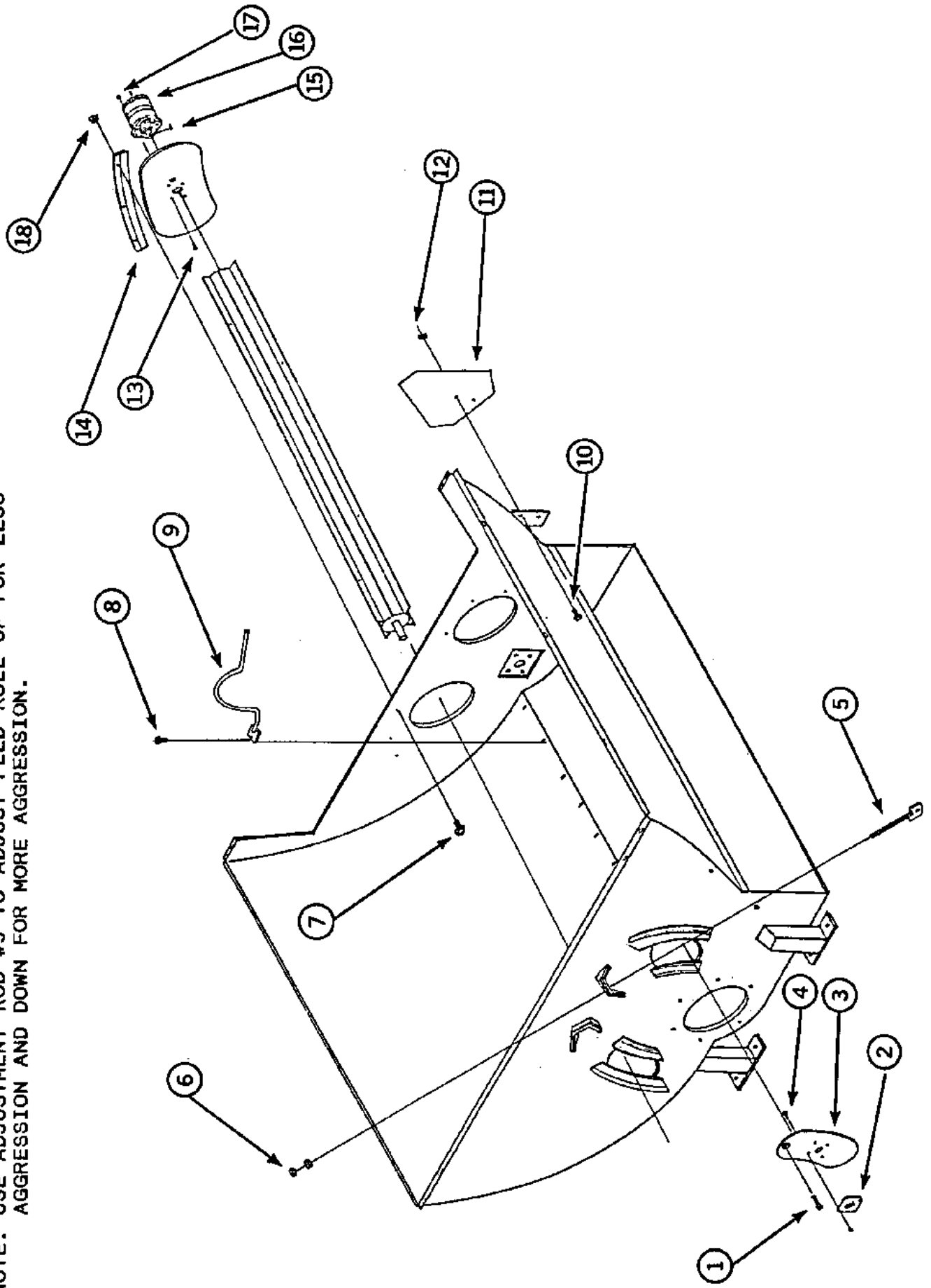
NOTE: KEEP #2 SHIELD IN PLACE AT ALL TIMES. KEEP ALL BEARINGS GREASED WELL.

DANGER: ALWAYS DISCONNECT PTO BEFORE WORKING AROUND THE BALE PRO. BE CAREFUL OF THE ROTATING PARTS.

ITEM NO.	PART NO.	DESCRIPTION
1	31178	5/8" LOCKNUT
2	LNC10	PTO GUARD
3	45080	1/2" LOCKNUT
4	LNC08	5/8" LOCKNUT
5	LNC10	1 3/4 FLANGE BRG
6	92091	FLAIL DRUM MOUNTING PLATE
7	45089	FLAIL DRUM
8	45071	5/8 X 2" UNC CARRIAGE BOLT
9	C5C1032	5/8 X 3" UNC CARRIAGE BOLT
10	C5C1048	1/2 X 1 1/2" UNC GR 5 BOLT
11	B5C0824	1 3/4 FLANGE BRG
	92091	

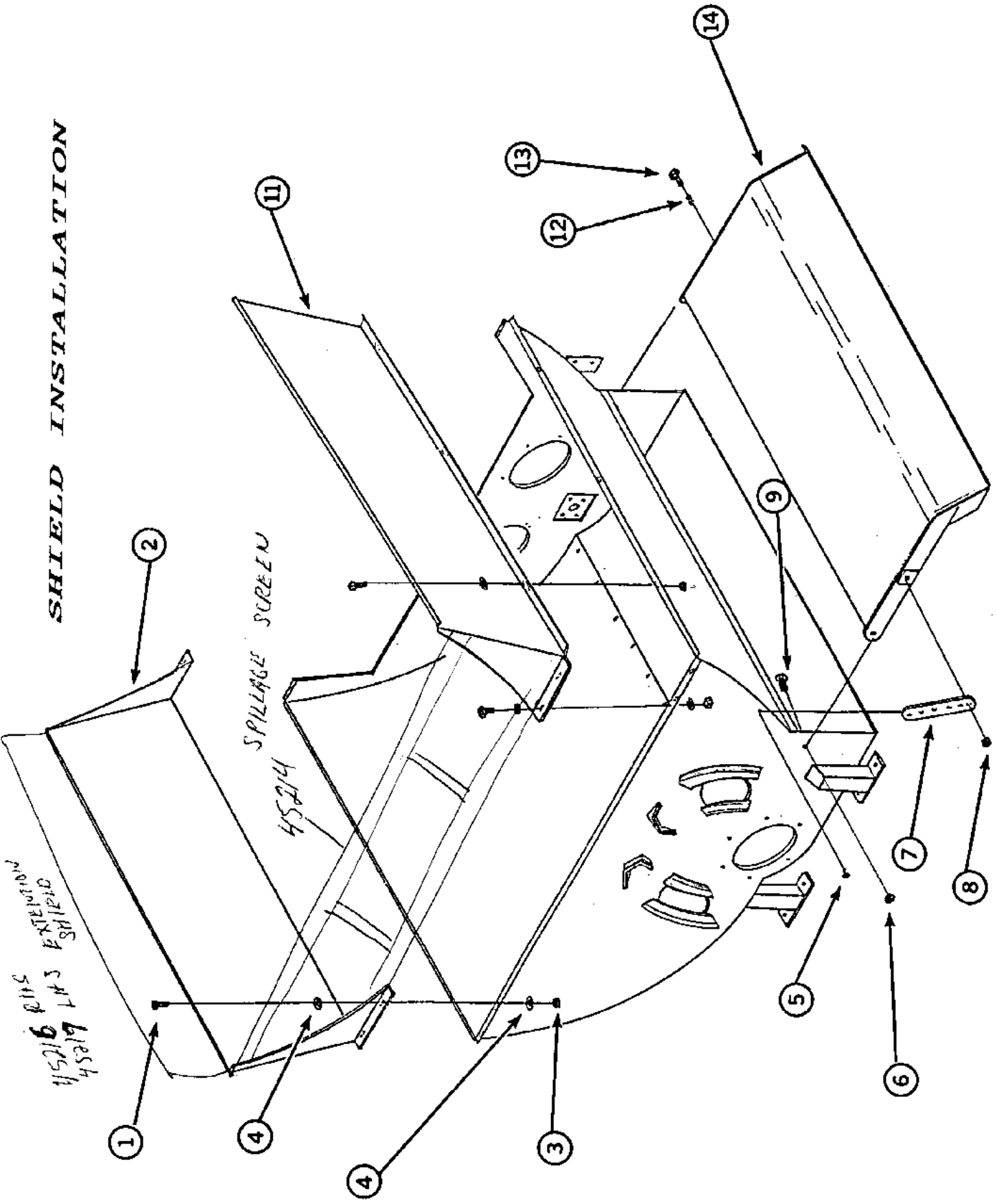
FEED DRUM INSTALLATION

NOTE: USE ADJUSTMENT ROD #5 TO ADJUST FEED ROLL UP FOR LESS AGGRESSION AND DOWN FOR MORE AGGRESSION.



ITEM NO.	PART NO.	DESCRIPTION
1	B5C1624P	1 X 1 1/2" UNC GR 5 BOLT
2	92094	1 3/8 FLANGE BRG
3	45090	FRONT MOUNTING PLATE
4	B5C0832	1/2 X 2" UNC GR 5 BOLT
5	45068	ADJUSTMENT ROD
6	NRIACME16	1" ACME LOCKNUT
7	B5C0824P	1/2 X 1 1/2" UNC GR 5 BOLT
8	B5C0832	1/2 X 2" UNC GR 5 BOLT
9	45092	FLAIL DRUM GUARD
10	B5C0412P	1/4 X 3/4" UNC GR 5 BOLT
11	92028	SLOW MOVING SIGN
12	LNC04P	1/4" LOCKNUT
13	B5C0840P	1/2 X 2 1/2" UNC GR 5
14	45093	BACK SLIDE PLATE RETAINER
15	45076	5/16" KEY X 1 1/4" (Steep key 1/4 x 5/16 x 1.25.)
16	92066	HYD MOTOR RE 39070400
17	LNC08	1/2" LOCKNUT
18	LNC08	1/2" LOCKNUT
	32647	SEAL KIT

SHIELD INSTALLATION

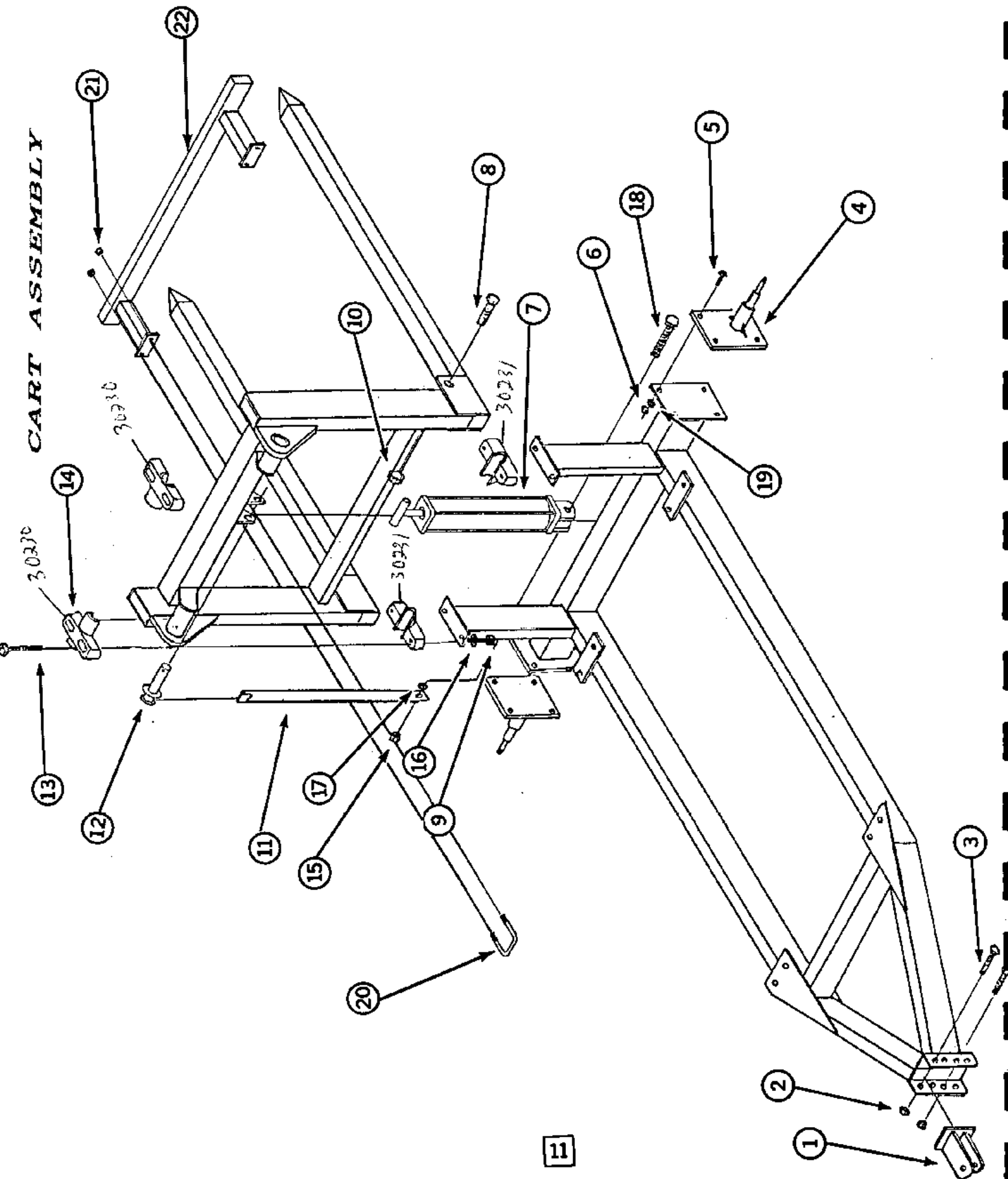


ITEM NO.	PART NO.	DESCRIPTION
1	31017	B5C0824P
2	45083	1/2 X 1 1/2" UNC GR 5 BOLT
3	31073	RIGHT HAND BAILE DEFLECTOR
4	31236	1/2" UNC LOCKNUT
5	FW08P	1/2" FLATWASHER
6	31073	LYNCH PIN
7	LNC08	1/2" UNC LOCKNUT
8	45074	ADJUSTMENT BAR
9	31007	1/2" LOCKNUT
10	C2C0824P	1/2 X 1 1/2" UNC GR 2 CARRIAGE BOLT
11	45065	LEFT HAND BAILE DEFLECTOR
12	92093	11/16 X 1 1/4" SPRING
13	B5C0848	1/2 X 2 1/2" UNC GR 5 BOLT
14	45082	DISCHARGE DEFLECTOR

NOTE: HOLES ARE PUNCHED INTO END OF DISCHARGE SHIELD # 14 TO FACILITATE THE ATTACHMENT OF BELTING IF DESIRED (NOT INCLUDED WITH MACHINE)

DANGER: STAY CLEAR OF DISCHARGE AREA BY A MINIMUM OF 75FT. (ROCKS AND DEBRIS WILL TRAVEL AT HIGH SPEEDS WHEN LEAVING THE MACHINE.)

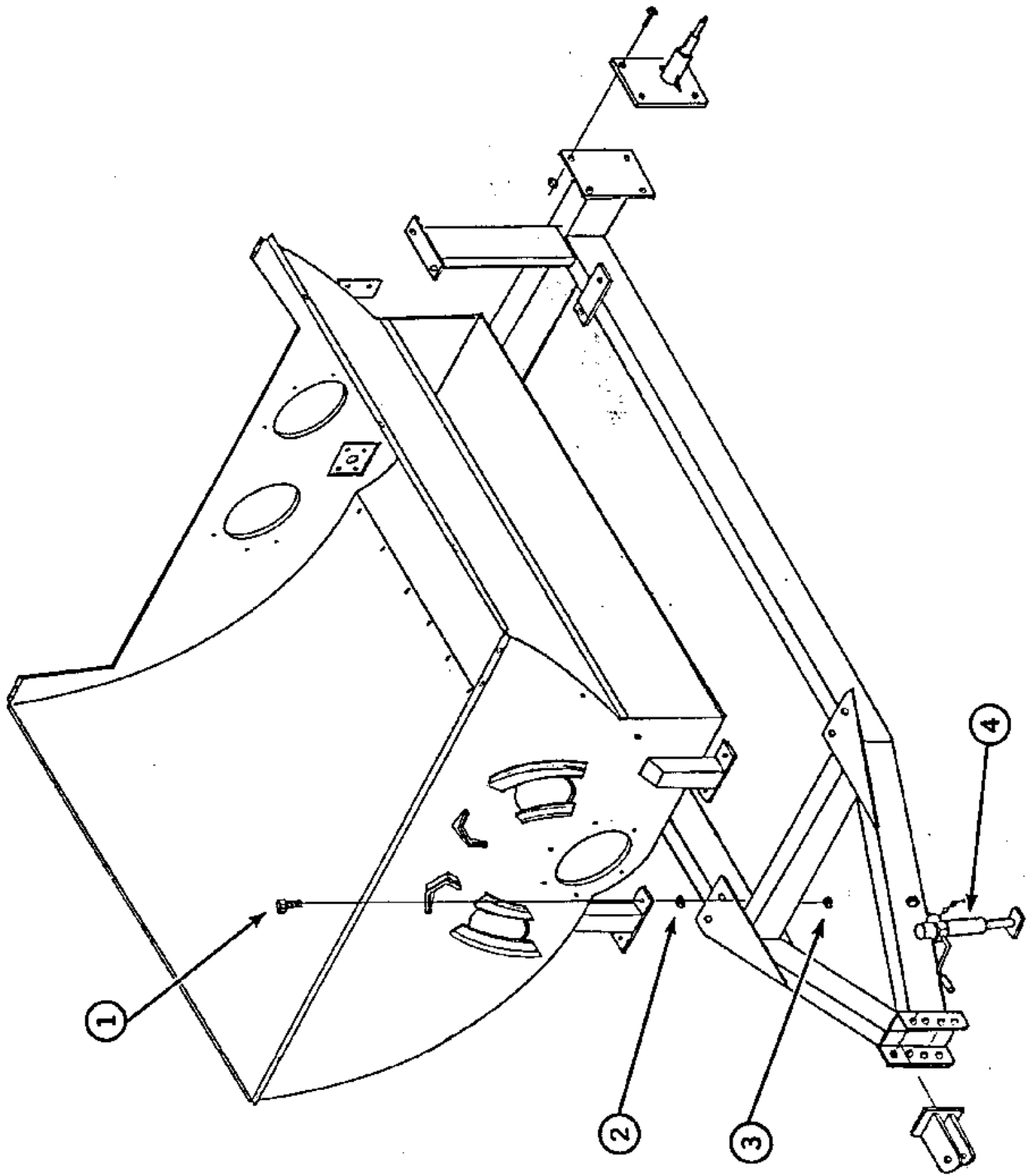
CART ASSEMBLY



ITEM NO.	PART NO.	DESCRIPTION
1	45060	DOUBLE HITCH TONGUE
2	LNC16P	1" UNC LOCKNUT
3	B5C16120P	1 X 7 1/2" UNC GR 5 BOLT
4	45081	AXLE PLATE AND SPINDLE
5	B5C1240P	3/4 X 2 1/2' UNC GR 5 BOLT
6	NC12P	3/4" UNC NUT
7	90119 → 910133	3 X 16 MONARCH CYLLINDER
8	B5C20104	1 1/4 X 6 1/2" UNC GR 5 BOLT
9	NC10	5/8 1/2" UNC NUT
10	LNC20	1 1/4" UNC LOCKNUT
11	45086	TRANSPORT LOCK
12	45085	TRANSPORT PIN
13	B5C1080	5/8 X 5" UNC GR 5 BOLT
14	500201	PIPE CLAMP TOP 30220 BOLT 30231 (CROSS)
15	31172	1" UNC LOCKNUT
16	31218	5/8" LOCKWASHER
17	31243	1" LOCKWASHER
18	31038	1 X 7 1/2" UNC GR 5 BOLT
19	31246	3/4" LOCKWASHER
20	UB0848112	1/2 X 3 X 7" U-BOLT (OPTIONAL)
21	3073	1/2" LOCKNUT (OPTIONAL)
22	45087	FORK DEFLECTOR (OPTIONAL)

NOTE: ADJUST HITCH TONGUE TO TRACTOR HITCH HEIGHT.
NOTE: TRANSPORT BAR #11 SHOULD BE PUSHED FORWARD TOWARD THE BALE PRO WHILE IN OPERATION. #18 SHOULD BE SNUG SO TRANSPORT BAR DOESN'T MOVE BACK.
NOTE: GREASE PIPE CLAMPS EVERY ≈ 100 BALES.
NOTE: # 22 BUMPER MAY NOT BE REQUIRED. BUMPER CAN BE ADJUSTED UP OR DOWN FOR PROPER LOADING OF BALE.

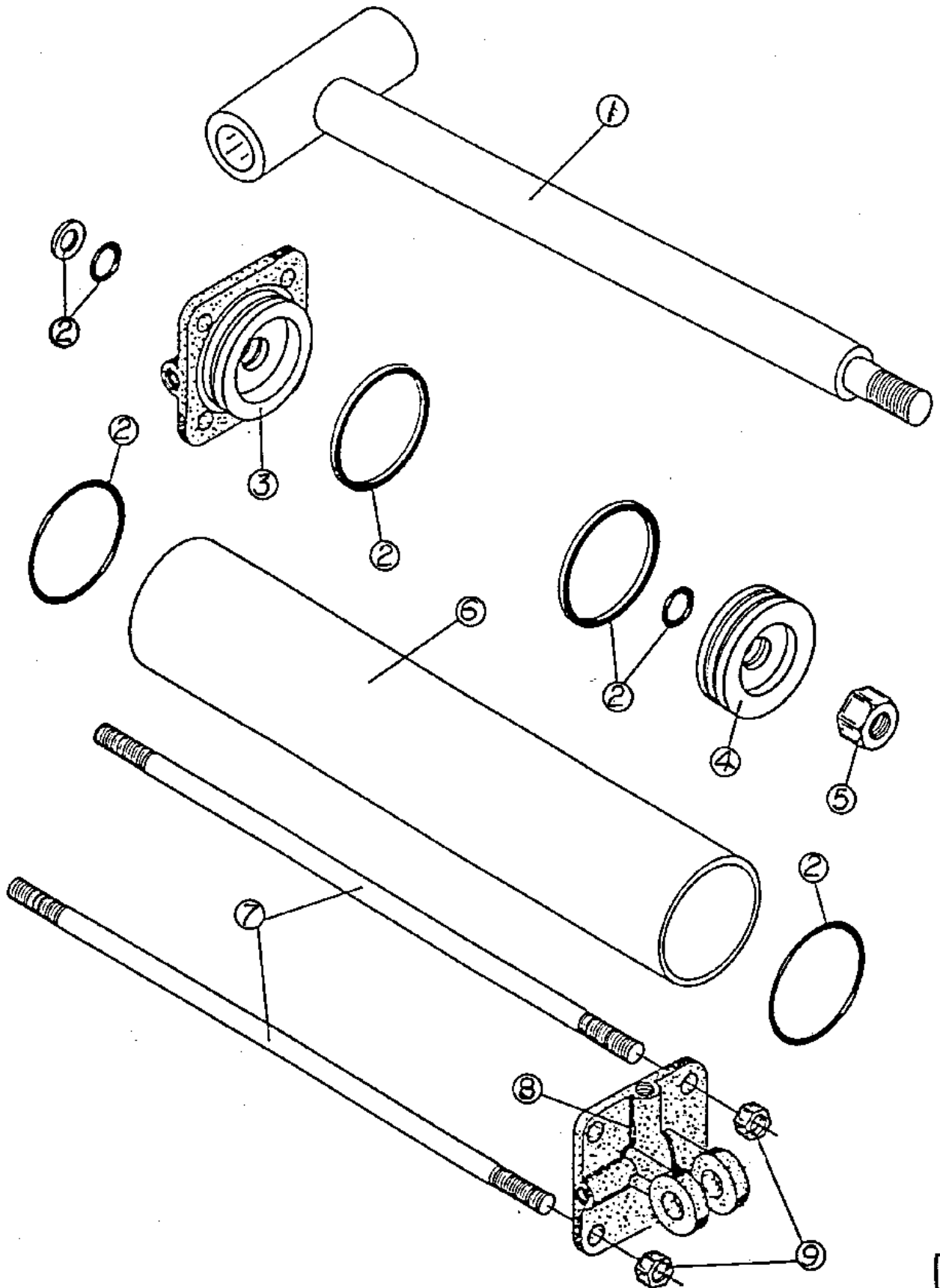
TUB ON CART INSTALLATION



ITEM NO.	PART NO.	DESCRIPTION
1 3/16/16	B5C08 ^{4C} 4P	1/2 X 1 1/2" UNC GR5 BOLT
2 3/12/34	FW08P	1/2" FLATWASHER
3 3/1/73	LNC08	1/2" LOCKNUT
4	92095	5000LB X 15" HITCH JACK

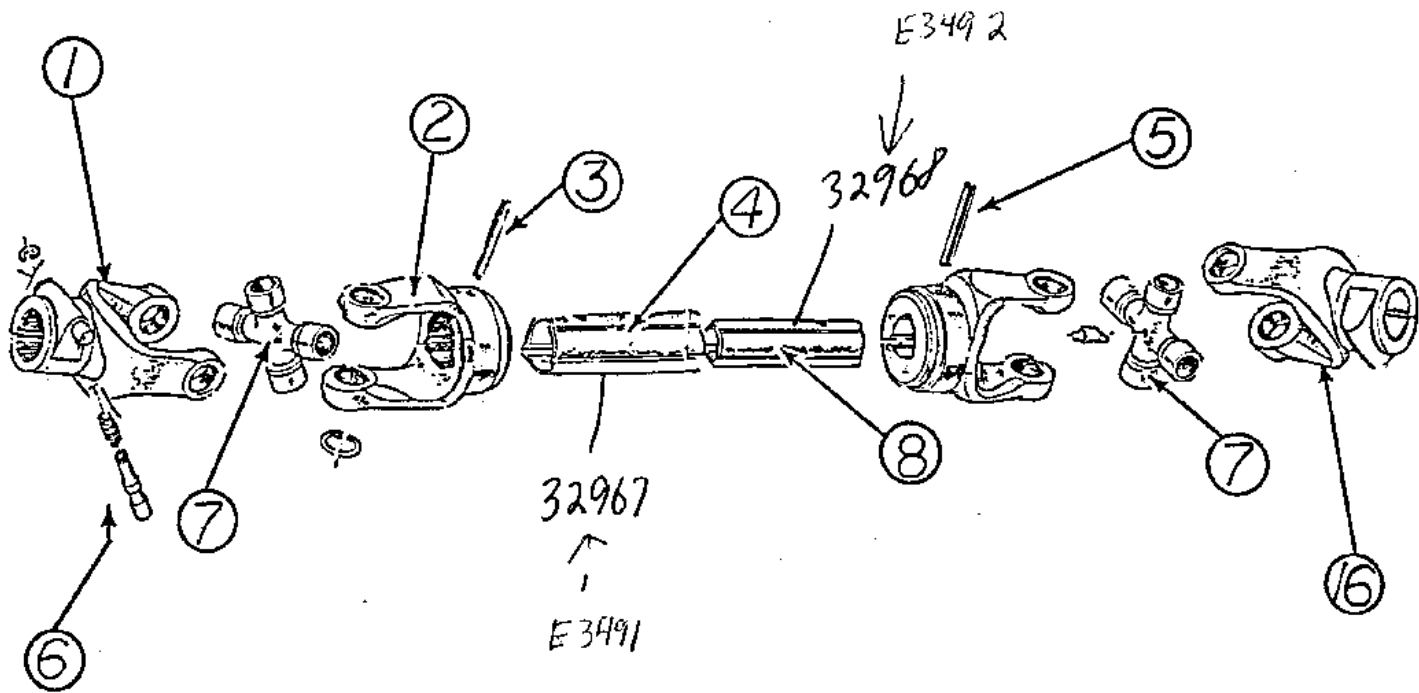
ITEM NO.	PART NO.	DESCRIPTION
1	601217	1/2 PIONEER END
2	61SA0808062	RESTRICTOR
3	90236	3/8 X 83" TRACTOR HOSE
4	500001	HOSE HOLDER
5	LNC05	5/16" UNC LOCKNUT
6	90442	1/2 X 108" STEEL LINE
7	801702	OIL LINE CLAMPS
8	90259	3/8 X 24" 1/2 MJIC 5/8 ORB
9	60SB1008	90 DEG 1/2 NPT MJIC
10	90245	3/8 X 28" 1/2 FJIC 1/2 MJIC
11	90270	3/8 X 38" 1/2 MJIC X 5/8 MORB
12	90267	1/2 X 50" 1/2 MNPT 5/8MORB
13	849FS08	1/2 MJIC 1/2 MNPT ADAPTOR
14	92066	HYD MOTOR

3 X 16 CYLINDER ASSEMBLY

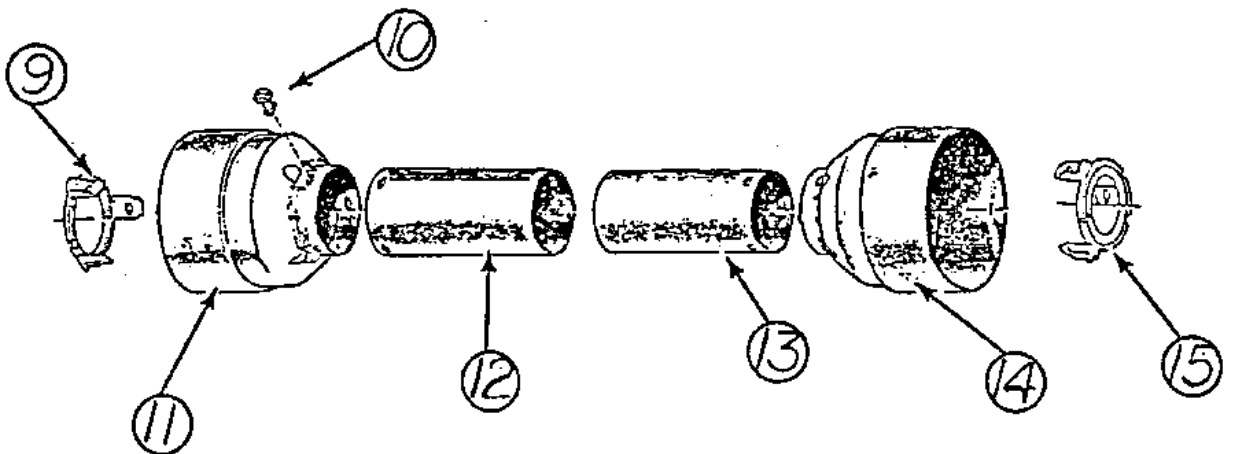


ITEM NO.	PART NO.	DESCRIPTION
1	90649	3 X 16 CYLINDER SHAFT (MONARCH)
2	90676	3 X 16 SEAL KIT (MONARCH)
3	90667	ROD END CAP
4	90706	PISTON
5	90722	PISTON NUT
6	90750	CYLINDER TUBE
7	90802	TIE RODS
8	90763	ANCHOR END CAP
9	90800	1/2" TIE ROD NUTS

PTO ASSEMBLY (MODEL EG OR BP)



NOTE: THE BONDIOLI & PAVESI PTO SHAFT IS ALSO YELLOW AND THE SAME PARTS LIST WILL APPLY.

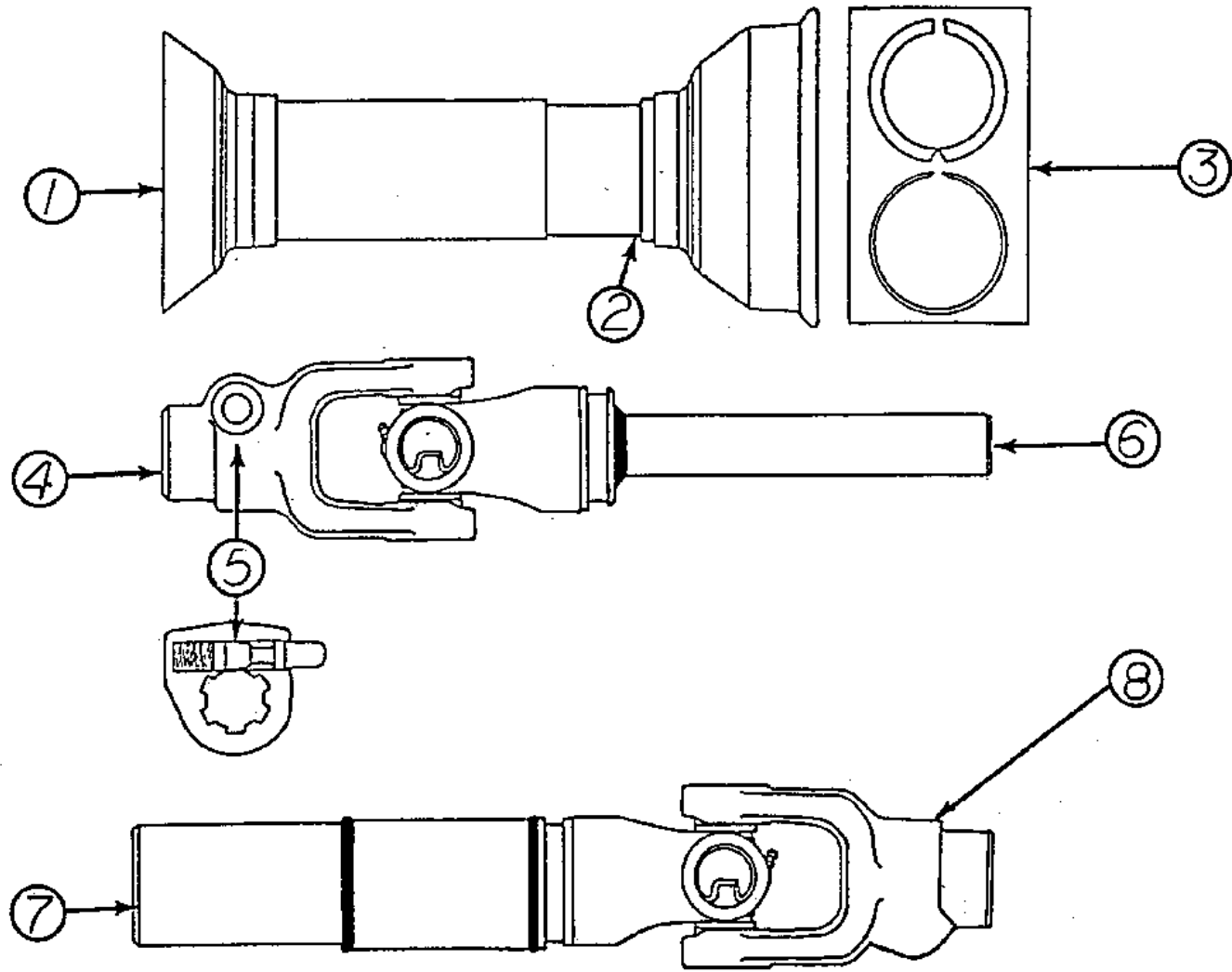


NOTE: PLEASE CHECK YOUR BALE PRO TO SEE WHICH PTO MODEL IS BEING USED ON THAT MACHINE. THE EG 60 SERIES IS A YELLOW PTO, OTHER RELEVANT INFORMATION WILL BE WRITTEN ON THE PTO SHAFT.

ITEM NO.	PART NO.	DESCRIPTION
1	901145	1 3/8-21 SPLINE YOKE 32890
2	901119	OUTER TUBE YOKE 32864 E34
3	901120	ROLL PIN OUTER YOKE 32865
4	901121	OUTER TUBE 32866 E3491
5	901124	ROLL PIN 32869
6	901123	PUSH PIN KIT 32868
7	901118	CROSS KIT 32863
8	901122	INNER TUBE 32887 E3492
9	901136	OUTER TUBE RETAINING COLLAR 32861
10	901137	CONE RETAINING BOLT 32852
11	901138	OUTER TUBE CONE 32853
12	901139	OUTER SHIELD TUBE 32884
13	901140	INNER SHIELD TUBE 32855
14	901142	INNER TUBE CLUTCH CONE 32887
15	901143	INNER TUBE RETAINING COLLAR 32868
16	901147	1 3/4" ROUND BORE YOKE 32892

PTO ASSEMBLY (WEASLER)

WEASLER

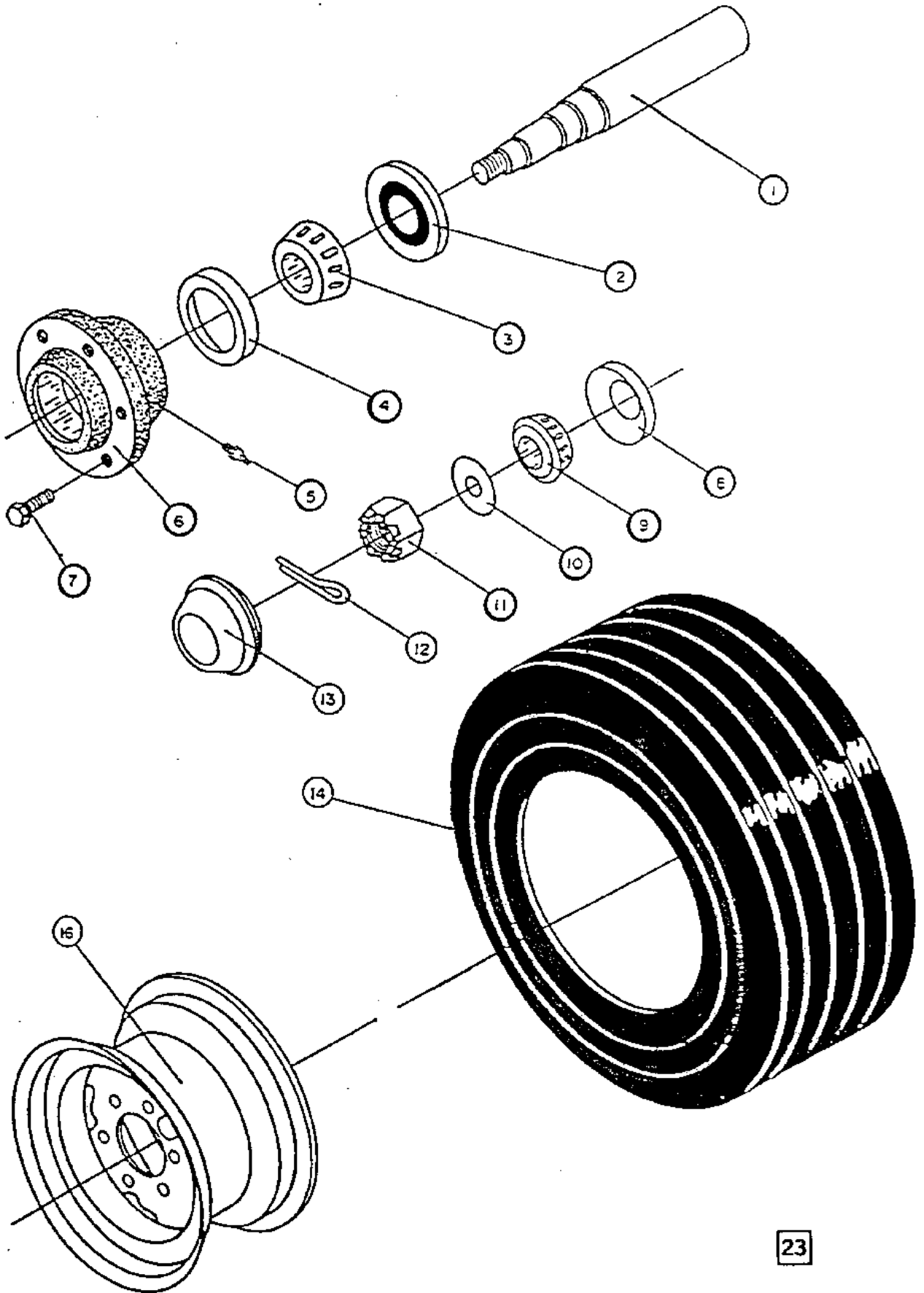


35 SERIES WEASLER

NOTE: PLEASE CHECK YOUR BALE PRO TO SEE WHICH PTO MODEL IS BEING USED ON THAT MACHINE. THE WEASLER 35 SERIES IS A BLACK PTO SHAFT.

ITEM NO.	PART NO.	DESCRIPTION
1	901110	OUTER GUARD 32857
2	901111	INNER GUARD 32858
3	901112	GUARD RETAINER KIT 32859
4	901129	1 3/8 - 21 SPLINE YOKE
5	901113	YOKE PIN LOCK REPAIR KIT
6	901104	YOKE & SHAFT
7	901105	YOKE & TUBE
8	901130	1 3/4" ROUND BORE YOKE
	901131	CLUTCH PTO

HUB AND WHEEL ASSEMBLY



ITEM NO.	PART NO.	DESCRIPTION
1	301008	SE16 SPINDLE ONLY 32203
2	301011	SE16 GREASE SEAL 32306
3	301010	LM603049 INNER CONE 32305
4	301009	LM603012 INNER CUP 32304
5	91700	1/8 NPT STRAIGHT ZERK
6	301007	H614 HUB 32302
7	301006	WB12 WHEEL BOLT 9/16"
8	301004	LM48510 OUTER CUP 32301
9	301005	LM48548 OUTER CONE 32300
10	301003	WA17 WASHER 1"ID X 2"OD 32298
11	301002	CASTELLATED NUT 1" 14UNS
12	CP0324	3/16 X 1 1/2" COTTER PIN
13	301001	DC15 DUST CAP 32296
14	301013	11L X 15 6PLY TUBELESS 32308
16	301014	15 X 8 X 6 RIM 32309
	301017	HUB COMPLETE WITH BEARINGS 45228

TROUBLE SHOOTING

PROBLEM	CAUSE	SOLUTION
FLAIL DRUM MAKING LOUD NOISES.	FEED RATE TOO FAST.	RAISE FEED DRUMS, SLOW FEED DRUM SPEED OR TURN FEED DRUM INTERMITTENTLY. REMOVE TABS FROM FEED DRUM.
PLUGGING	FEED RATE TOO FAST.	SAME AS ABOVE.
FLAIL BOLTS BREAKING	BUSHING NOT TIGHT AGAINST TABS ON FLAIL DRUM OR BUSHING SEIZED IN FLAIL.	TIGHTEN BOLTS. REMOVE FLAIL AND LOOSEN BUSHING IF UNABLE TO DO SO REPLACE FLAIL AND BUSHING.
FLAIL BOLTS BECOMING LOOSE.	BUSHING SEIZED IN FLAIL.	SAME AS ABOVE.
EXCESSIVE VIBRATION	MISSING FLAIL BENT PTO SHAFT TURNING TO SHARP	REPLACE REPAIR OR REPLACE.
BALE DOESN'T TURN		ADD TABS TO FEED DRUM AND/OR LOWER FEED DRUMS.
HYD. SYSTEM NOT FUNCTIONING PROPERLY.		CHECK COUPLERS TO TRACTOR.
TIP OF FORKS TOO HIGH.	HITCH TOO LOW.	LIFT HITCH.

**NOTE: IF THERE ARE ANY OTHER PROBLEMS PLEASE FEEL FREE TO CALL
HIGH-LINE MFG. INC. 1-800-665-2010.**

SPECIFICATIONS

MINIMUM HORSEPOWER REQUIRED: 85HP IS RECOMMENDED
CAPACITY: 6' X 6' BALE
HEIGHT: 90"
WIDTH: 100"
WEIGHT: 4000LBS
PTO REQUIREMENTS: 1000 R.P.M.
DUAL HYDRAULICS: 2000 P.S.I.